

# EAGLEVIEW

Visible Information Anywhere™



The EAGLEVIEW LARGE DISPLAY is the only alphanumerical display in the market. The rugged NEMA4x EagleView Display offers the most recent numerical and textual information that is visible from far distances and in harsh climates. Our satisfied clients from Alaska to Texas prove it. Temperature is not an issue for the EagleView Display!

It's the best aviation designed display and is adaptable to any application you're looking for. It's an intelligent and unique system and through fast integration, flexibility, and its ability to evolve as your company evolves, we believe we're the right partner for you. If you need it, we have it!

Each unit can communicate with two (02) electronic registers or two (02) mechanical pulsers on a single truck. Save money purchasing fewer displays and double the results.



## Display Specifications

- 8-40 Volts Power Supply Input, 3 Amps
- Extended working temperatures (-40 to +75 degrees Celcius)
- L15.75" x W7.87" x H4.84 External dimensions enclosure
- Components meet industrial rating (-40 to +85 degrees Celsius)

## Contact:

Tekinno Corporation Inc.  
Phone: (514) 316-1880  
Fax: (514) 316-1882  
Toll free: (877) 698-3546  
info@tekinno.com  
www.eagleviewdisplay.com  
www.tekinno.com

## Your Benefits

- Easy to install and to update services with our PLUG & PLAY installation and up to date software
- Easy to customize messages for you clients and to display information for employees and business processes in many areas
- Easy to reprogram on the field without uninstalling the display

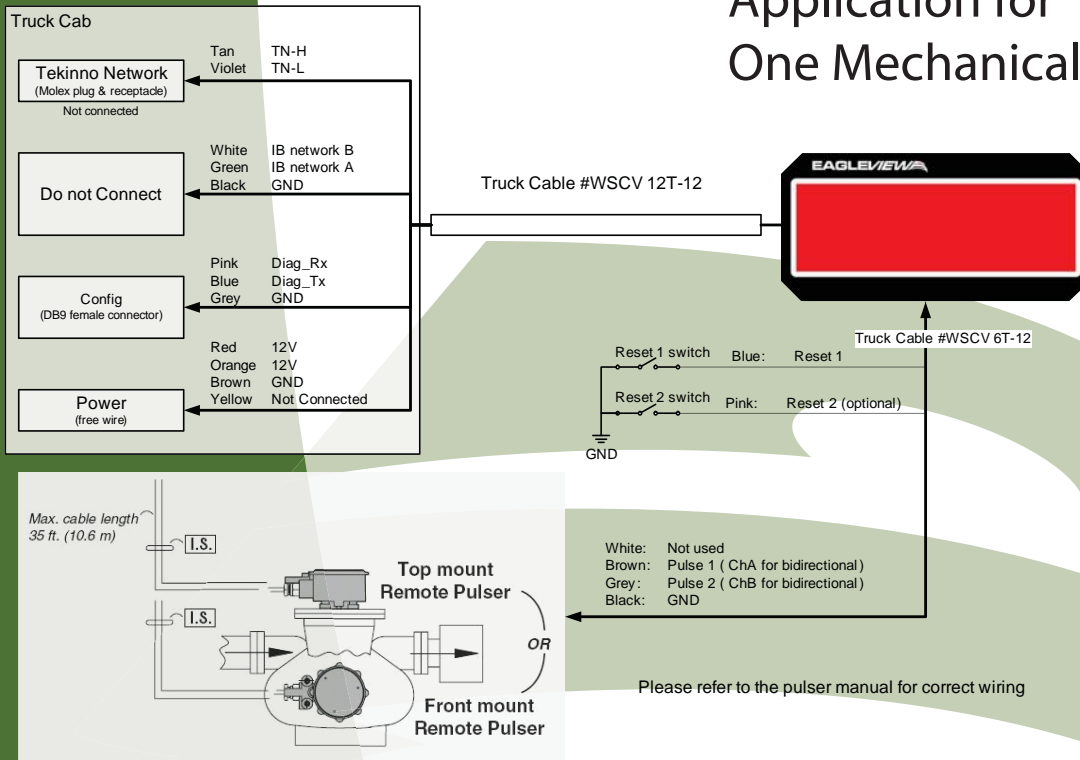
## Key Features

- High Visibility of six (06) digits ED digits, including a digit height of 3.5 inches
- Luminosity intensity control according to outdoor lighting conditions (day, night, fog, etc)
- Adaptable interface with EMR devices and mechanical pulsers (Veeder-Root EMR3, etc.)
- Display both numerical and textual messages
- Optional RF communication applications
- Weather proof NEMA4X enclosure
- Visible from 175 feet

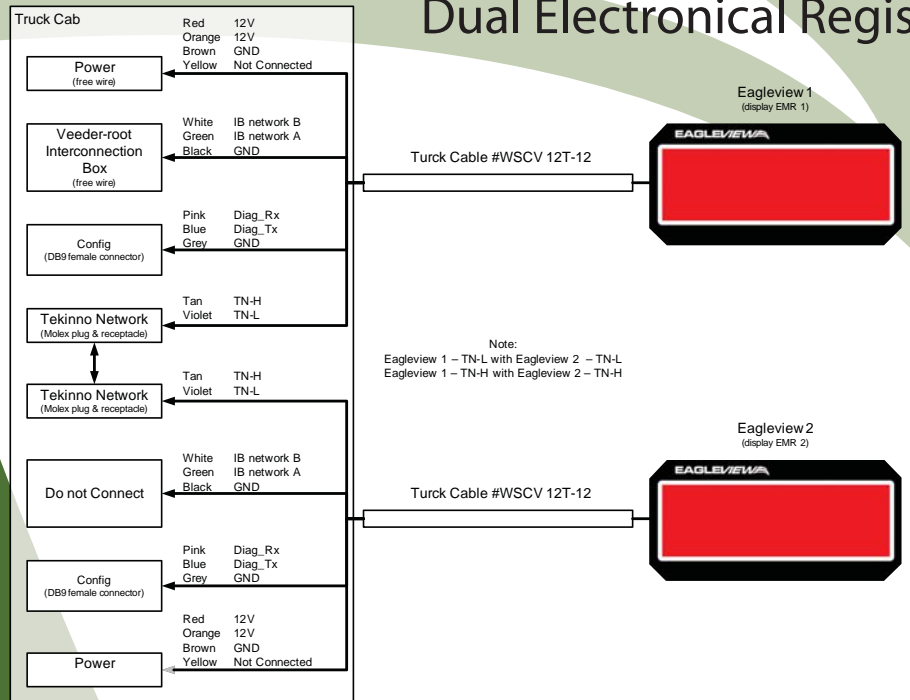




## Application for One Mechanical Register



## Application for Dual Electronical Registers



The EagleView Display can support the following registers in pulsar mode:

- EMR3 from Veeder-Root.
- EMH600 from Liquip
- PPT-300-100 from Metermatic
- TRAC-40 from Contrec
- Vega T from Isoil
- LCR11 from Liquid Controls
- RUBY ou EQUALIS from Satam

### Harness Specifications:

- Industrial Cables CSA/UL approved (IP68, NEMA4x)
- High Grade Oil and UV Resistant PVC
- UL94-V2 flammability rating
- UL, CSA & VDE listed accessories

[www.eagleviewdisplay.com](http://www.eagleviewdisplay.com)

[www.tekinno.com](http://www.tekinno.com)